

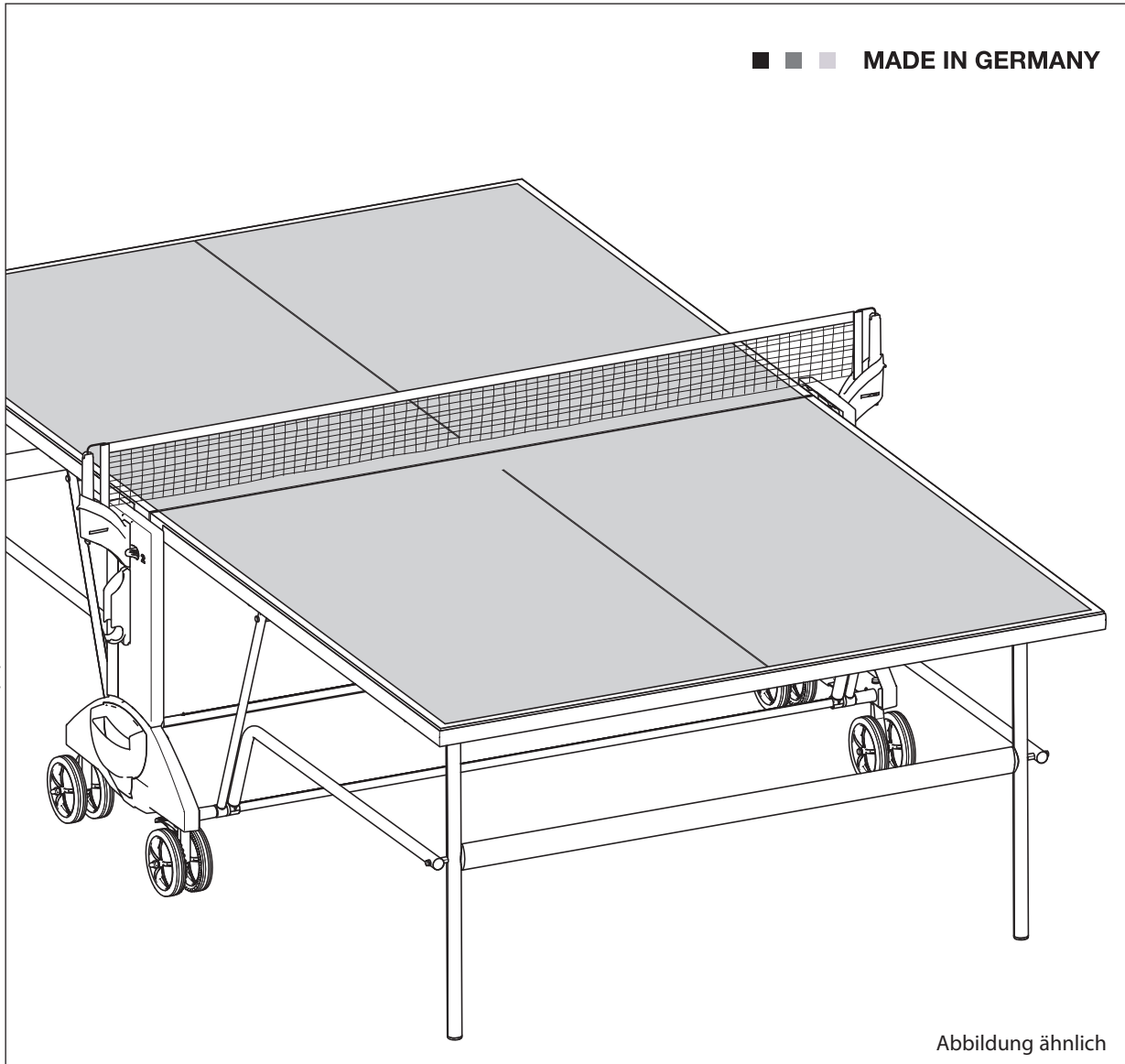


# Table-Tennis-Tables.co.uk

## Table Tennis Table Assembly Instructions

# Champ 3.0

Model No's: 07137-600/07177-600



- D
- GB
- F
- NL
- E
- I
- PL

Der Umwelt zuliebe: Wir drucken auf 100% Altpapier!

● ●		🕒		
		~ 120 min.		
🔪	🔧	🔧	🔧	✂️
1x	2x	2x	2x	1x



# KETTLER

Before assembling or using the table-tennis table, please read the following instructions carefully. They contain important information for use and maintenance of the equipment as well as for your personal safety. Keep these instructions in a safe place for maintenance purposes or for ordering spare parts.

All KETTLER products are designed in accordance with the latest safety regulations and undergo a constant process of quality control during manufacturing. The knowledge gained in this process is used to constantly improve and develop our products. In order to offer our customers the very best in product quality, we reserve the right to make technical changes at any time. In spite of this, should you have any cause for complaint, please contact your KETTLER dealer.

#### Note on Safety

- The table-tennis table should be used only for its intended purpose, i.e. for playing with suitable table-tennis bats and balls.
- All other uses are prohibited and may be dangerous. The manufacturer cannot be held liable for damage or injury caused by improper use of the table.
- Damaged or worn components may endanger your safety or shorten the lifespan of the table-tennis table. Replace worn or damaged components immediately and remove the table from use until this has been done. Use only spare parts manufactured by KETTLER.
- The table-tennis table complies with all safety regulations. incorrect repairs, alterations to the design (removal of original parts, addition of other components etc.) may endanger the safety of the user.
- Instruct other persons (in particular children) using the table in its correct use, and draw their attention to any potential source of danger, especially when setting up or dismantling the table.
- When setting up or dismantling the table, stay clear of its folding radius.
- When folded up, the table-tennis table presents a large surface to the wind. For this reason, ensure that it is stored in a sheltered position.
- The table-tennis table may be pushed only into the transport position because there is otherwise a danger of injury.
- The unit complies with the standard EN 14468-1:2004.
- Depending on frequency of use, check all screws, bolts etc. regularly to ensure that they are in good condition.
- Caution: While assembly of the product keep off children's reach (Choking hazard - contains small parts).
- In case of enquiry, please contact your KETTLER dealer.

#### Handling the equipment

- Do not use the table-tennis table until it has been fully and correctly assembled and checked.
- Ensure that table-tennis tables which are not weatherproof are not exposed to dampness or rain. Keep them well away from direct sources of heat. Should the surface become warped, lay the table on a level surface for a few days.
- Set the table up on a level surface.
- Do not cover it with plastic foil, under which condensation may form. We recommend the weatherproof KETTLER tarpaulin, art. no. 7032-300.
- For practising without a partner, the table halves can be folded up singly.
- For more information on the sport of table-tennis, you are referred to the specialist literature on the subject.
- Do not use corrosive or abrasive materials to clean the equipment. Ensure that such materials are not allowed to pollute the environment. In most cases, a slightly dampened cloth is sufficient.
- Waste Disposal: KETTLER products are recyclable. At the end of its useful life please dispose of this article correctly and safely (local refuse sites).

#### Instructions for Assembly

- The equipment must be assembled with due care by two adult persons.
- Ensure that you have received all the parts required (see check list) and that they are undamaged. Should you have any cause for complaint, please contact your KETTLER dealer.
- Before assembling the equipment, study the drawings carefully and carry out the operations in the order shown by the diagrams. The correct sequence is given in capital letters.
- Please note that there is always a danger of injury when working with tools or doing manual work. Therefore please be careful when assembling this machine.
- Ensure that your working area is free of possible sources of danger, for example don't leave any tools lying around. Always dispose packaging material in such a way that it may not cause any danger. There is always a risk of suffocation if children play with plastic bags!
- The fastening material required for each assembly step is shown in the diagram inset. Use the fastening material exactly as instructed.
- Bolt all the parts together loosely at first, and check that they have been assembled correctly. Tighten the locknuts by hand until resistance is felt, then use spanner to finally tighten nuts completely against resistance (locking device) Then check that all screw connections have been tightened firmly. Attention: once locknuts have been unscrewed they no longer function correctly (the locking device is destroyed), and must be replaced.
- For technical reasons, we reserve the right to carry out preliminary assembly work (e.g. addition of tubing plugs).
- Please keep original packaging of this article, so that it may be used for transport at a later date, if necessary. Goods may only be returned after prior arrangement and in (internal) packaging, which is safe for transportation, in the original box if possible. It is important to provide a detailed defect description / damage report!

#### List of spare parts

When ordering spare parts, always state the full article number, spare-part number, the quantity required and the S/N of the product (see spare parts drawing).

Example order: Art. no. 07177-600 / spare-part no. 94130115 / 2 pieces / S/N.....

Important: spare part prices do not include fastening material; if fastening material (bolts, nuts, washers etc.) is required, this

should be clearly stated on the order by adding the words "with fastening material".

KETTLER GB Ltd. KETTLER House, Merse Road · North Moons Moat · Redditch, Worcestershire B98 9HL

# Checkliste (Packungsinhalt)

**GB** Checklist (contents of packaging)


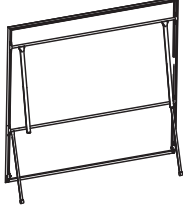

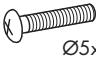



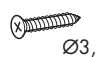


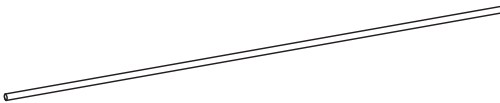


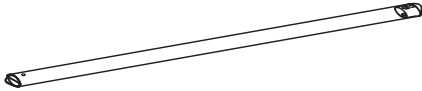


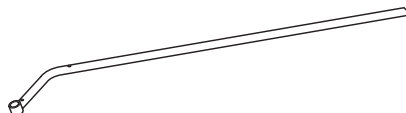




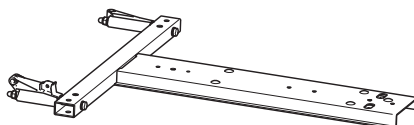



















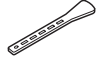

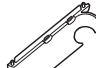


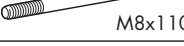

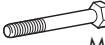
**F** Liste de vérification (contenu de l'emballage)

**NL** Checklijst (verpakkinginhoud)

**E** Lista de control (contenido del paquete)

**I** Lista di controllo (contenuto del pacco)

**PL** Lista kontrolna (zawartość opakowania)

	2		2		2		4
					2		2
					2		12
					2		4
	3				2		4
	2				4		8
	4				2		16
					2		6
	2				2		4
					4		4
	2		2		4		4
	2		4		2		4
	4		2		4		2
	4		2		4		2
	1		2		4		2
					4		4
					6		

**D** Sie benötigen zusätzlich folgendes Werkzeug (Gehört nicht zum Lieferumfang):

**GB** You also need the following tools (Not included):

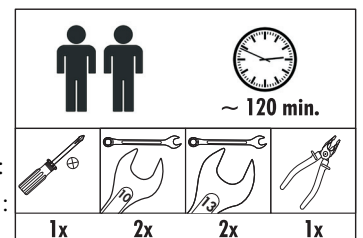
**F** Vous avez besoin de cet util en complément (non compris dans la livraison)

**NL** U heeft tevens volgend gereedschap nodig (Is niet in de levering ingesloten):

**E** Usted necesita adicionalmente la siguiente herramienta (no pertenece al volumen de suministro):

**I** Per eseguire il montaggio, Vi occorre il seguente attrezzo (non è incluso nel volume di fornitura):

**PL** Dodatkowo potrzebne są następujące narzędzia (nie objęte zakresem dostawy):



# Messhilfe für Verschraubungsmaterial

**GB** Measuring help for screw connections

**F** Gabarit pour système de serrage

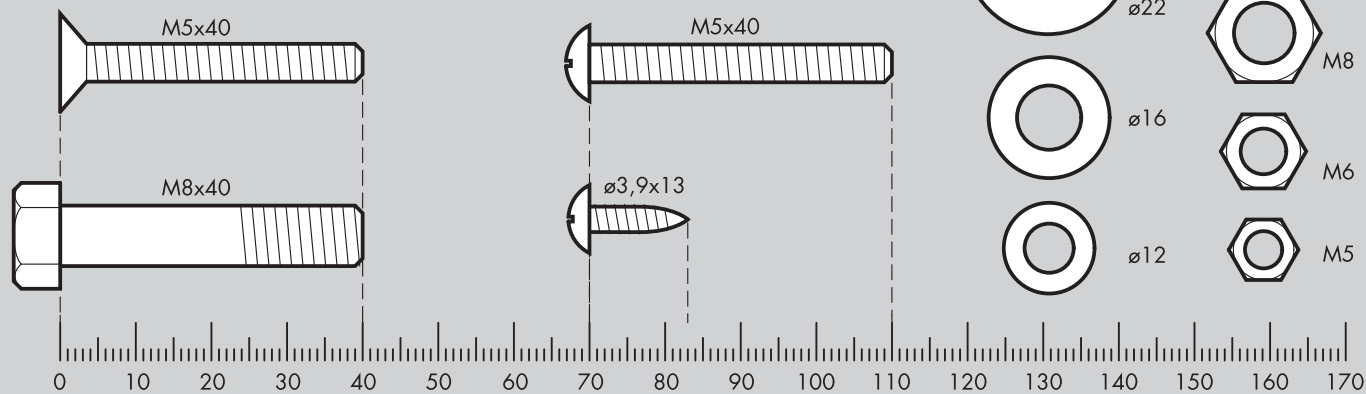
**NL** Meethulp voor schroefmateriaal

**E** Ayuda para la medición del material de atornilladura

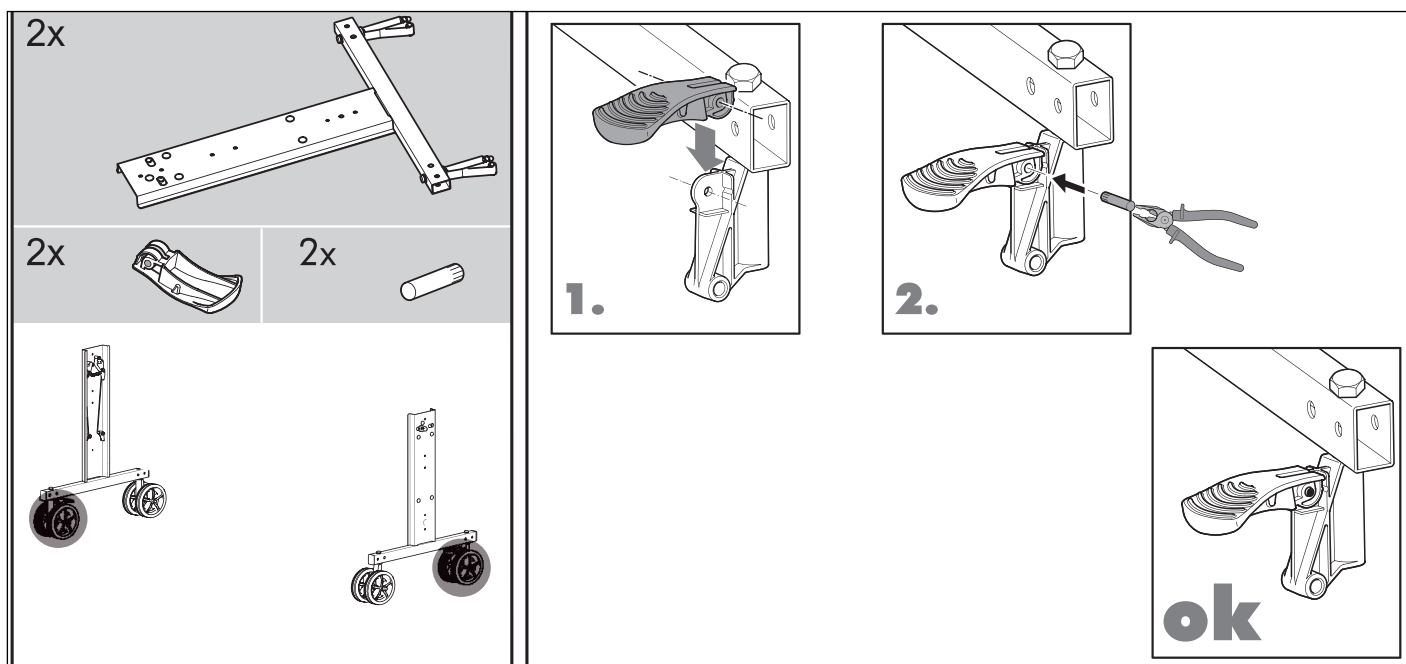
**I** Misura per materiale di avvitamento

**PL** Wzornik do połączeń śrubowych

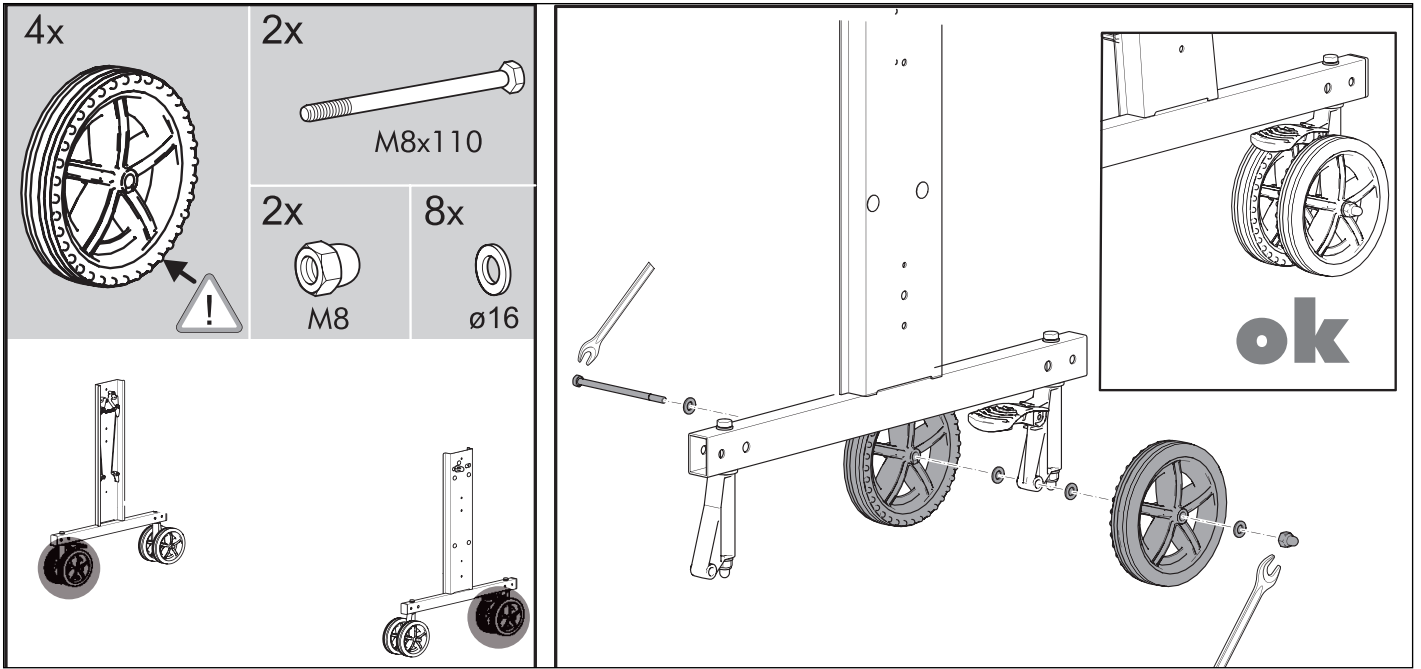
Beispiele Examples Exemples  
Bij voorbeeld Ejemplos Esemplio Przykłady



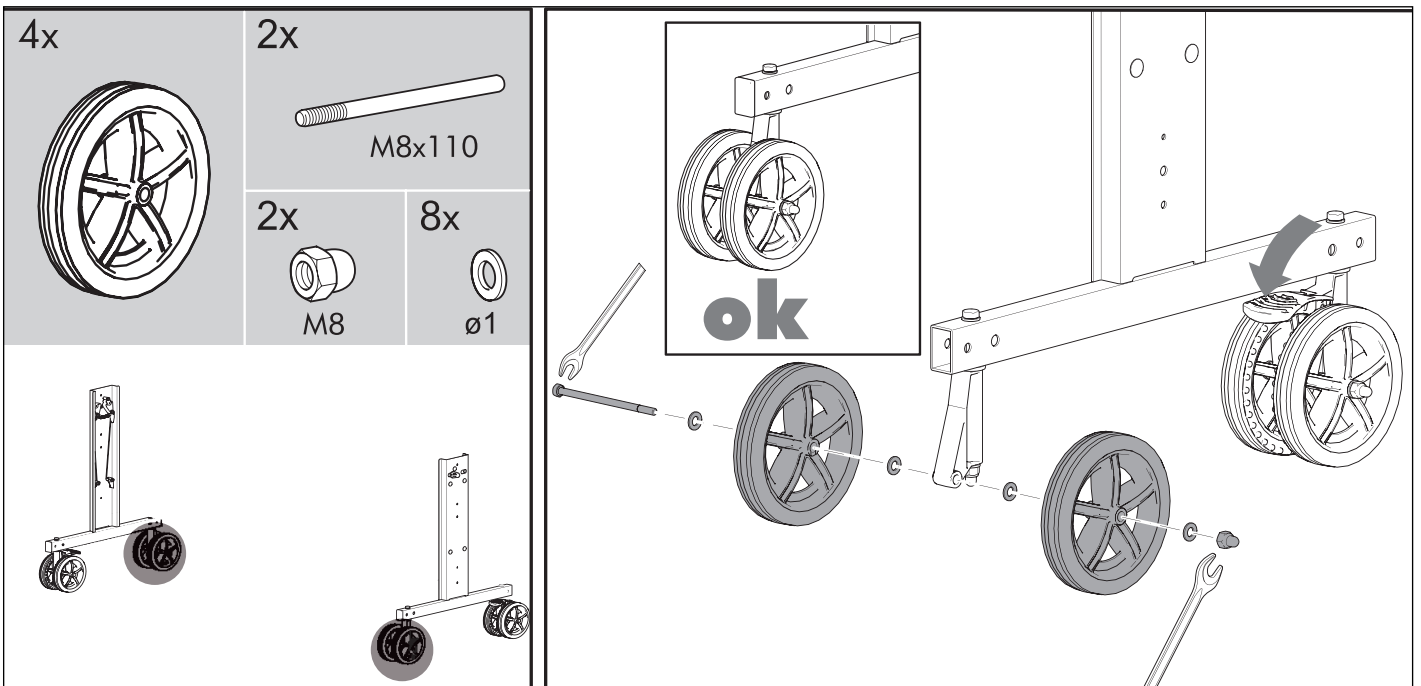
1



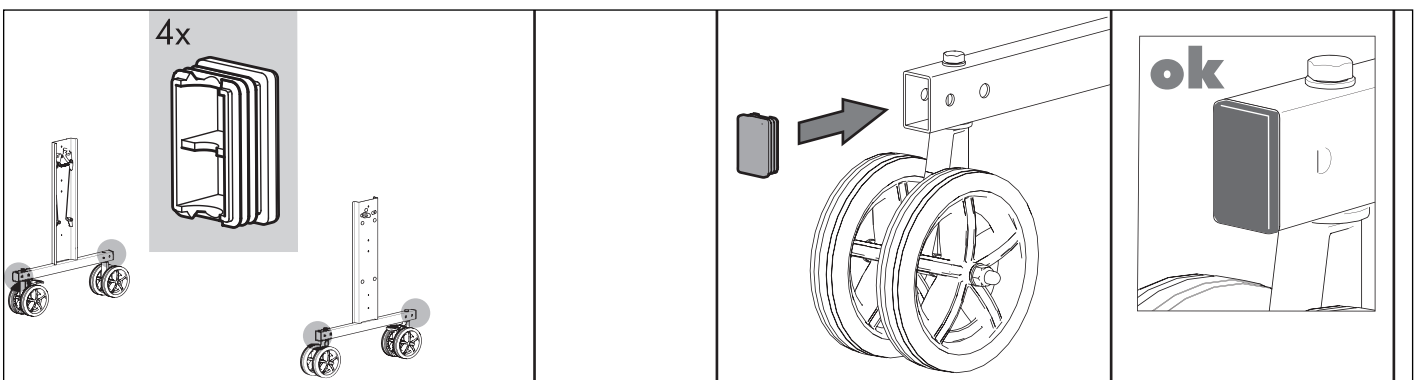
## 2



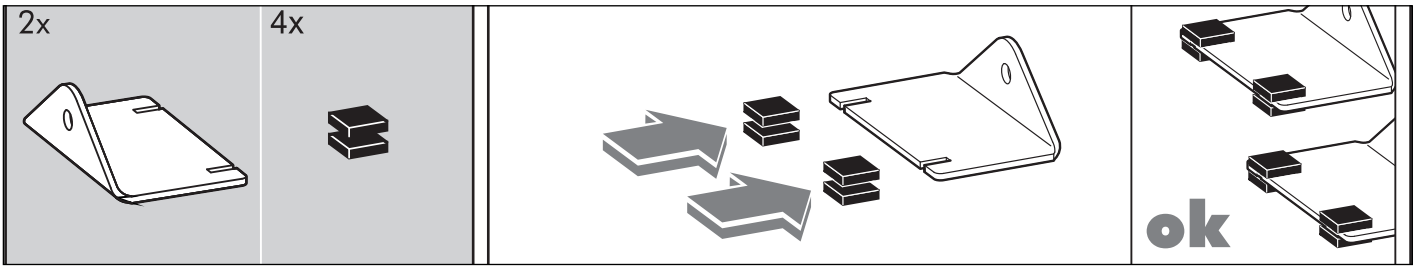
## 3



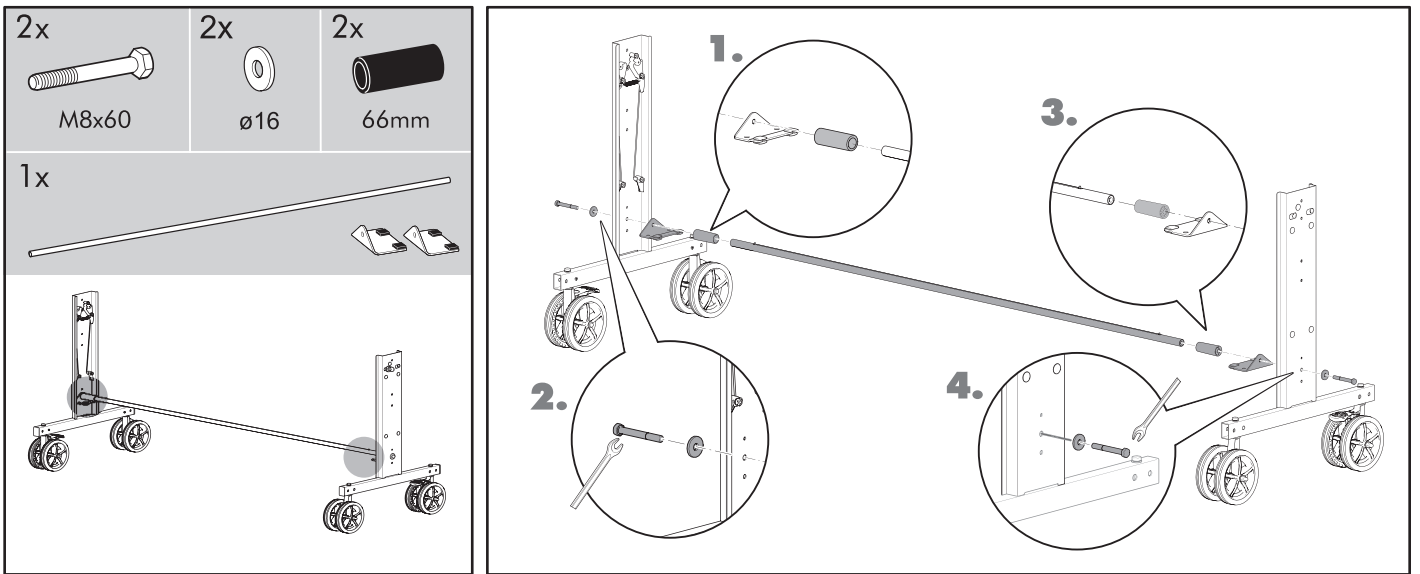
## 4



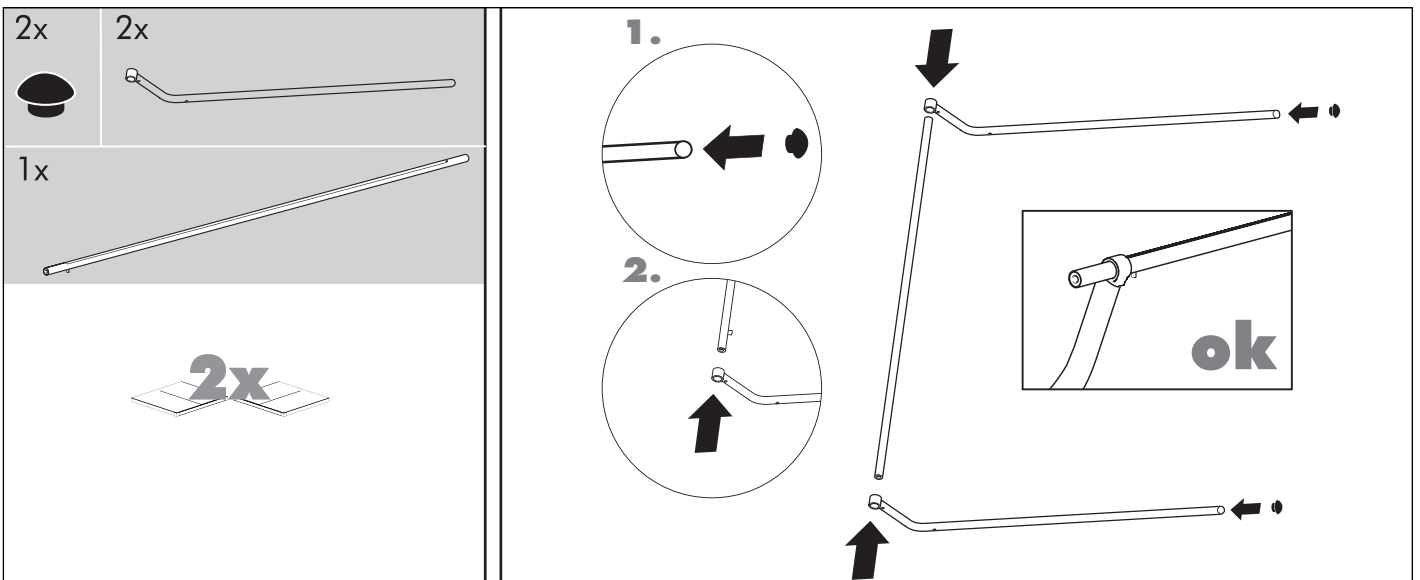
5

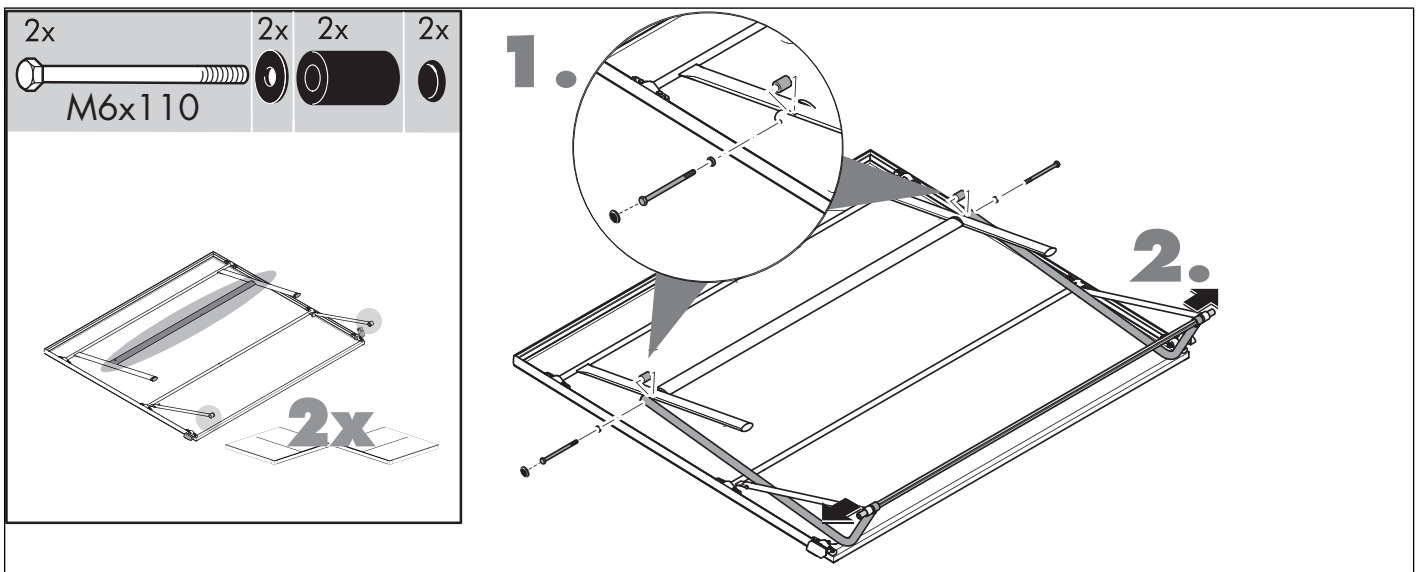
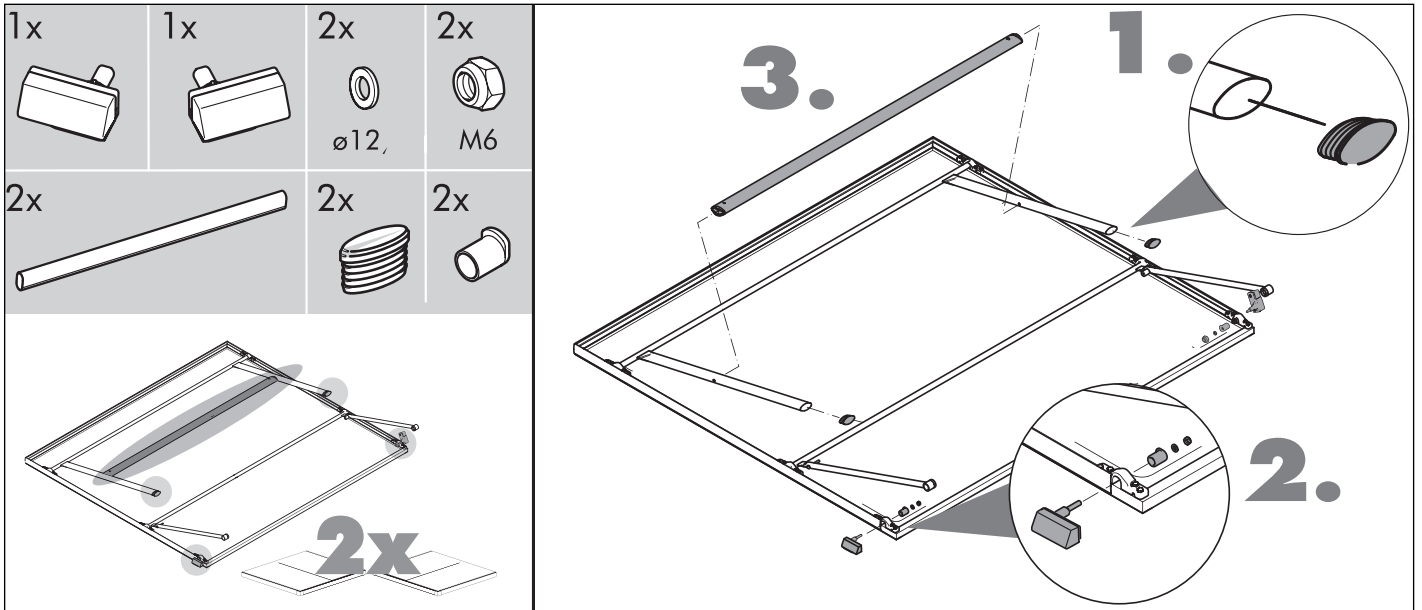


6



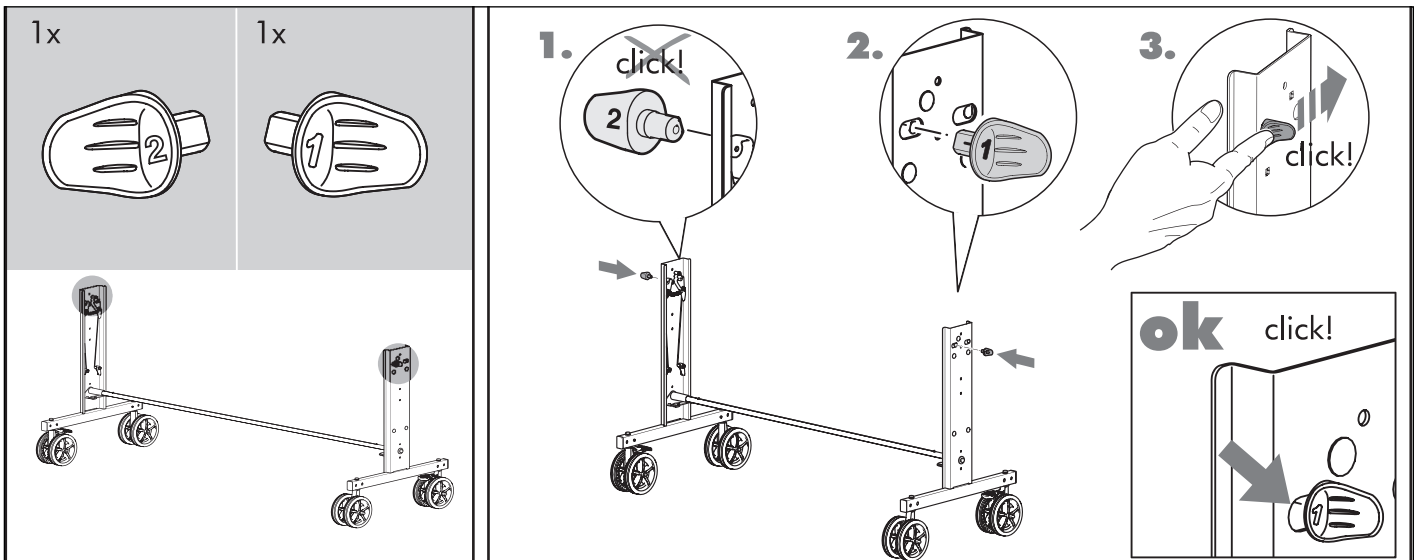
7





- (D) Die Streben des Tragrahmens müssen hierbei ein wenig zur Seite gebogen werden; gehen Sie hierbei vorsichtig vor!
- (GB) To do this, the braces for the frame must be bent slightly to the side. Proceed with care when doing this.
- (F) Pour cela les jambes de forces du cadre porteur doivent être pliées un peu de côté; pratiquer là avec précaution
- (NL) De stangen van het draagframe moeten hierbij aan de kant enigszins gebogen worden; ga hierbij voorzichtig te werk!

- (E) Los puntales del marco soporte tienen que ser ligeramente doblados; ¡ejecute este proceso con cuidado!
- (I) A questo proposito è necessario piegare leggermente verso il lato i montanti della staffa di supporto; procedere con cautela!
- (PL) Poprzeczki pał ka podporowego musz zosta przy tym nieznacznie rozgi te na zewn trz. Zachowa przy tym ostro no !



**(D)** Sichern Sie die Plattenhälfte für die folgenden Montageschritte unbedingt gegen Abrutschen und/oder Umkippen!

**(GB)** Position one of the table halves and ensure that it cannot slip or tilt over.

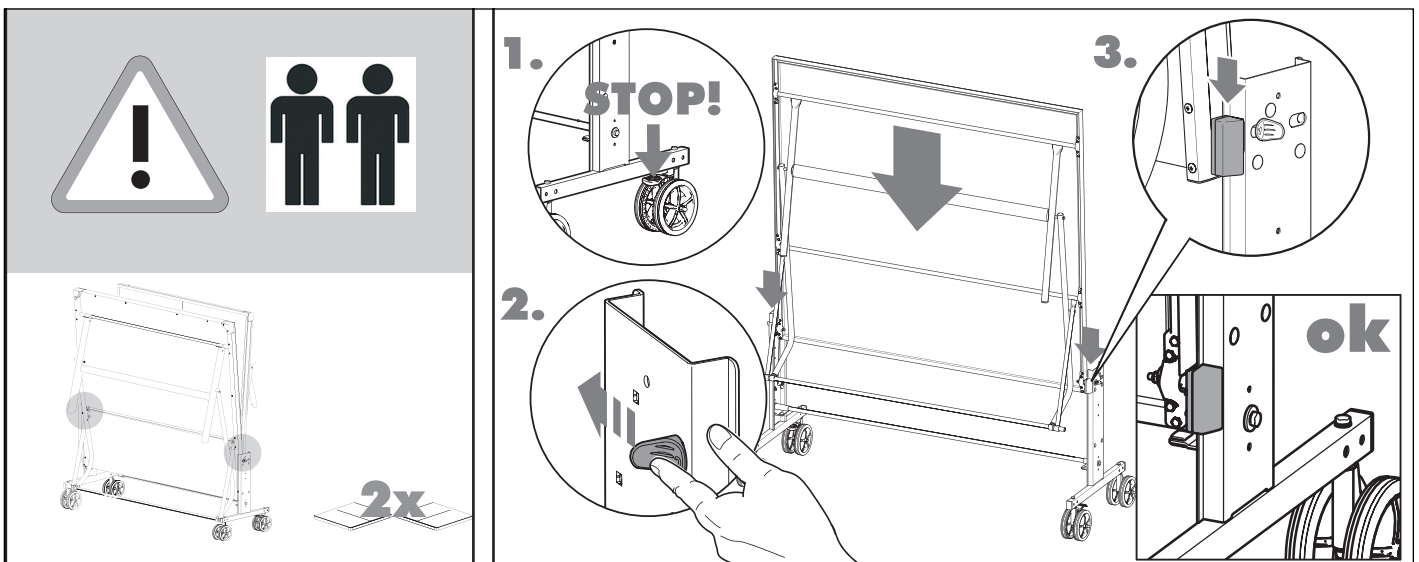
**(F)** Il est absolument nécessaire de sécuriser les plateaux pour les opérations de montage qui suivront, afin qu'ils ne puissent ni glisser ni se renverser.

**(NL)** Blokkeer deze bladheft voor het volgende deel van de montage tegen wegglijden en/of kantelen.

**(E)** Asegure la mitad de la plancha para los próximos pasos de montaje contra deslizamiento y/o vuelco!




**(I)** Per eseguire le seguenti fasi montaggio occorre assolutamente assicurare il piano di gioco contro lo scivolamento e/oppure il ribaltamento.

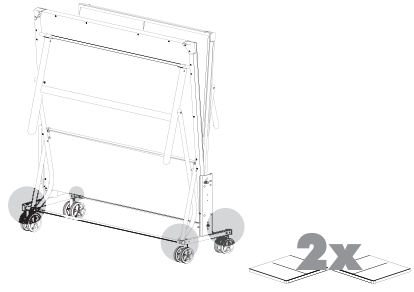
**(PL)** Po drugiej stronie ułóż i połóż płyty. Dla następnych operacji montażowych należy i koniecznie zabezpieczyć połowę płyty przed ześlizgnięciem się i/lub przewróceniem się!



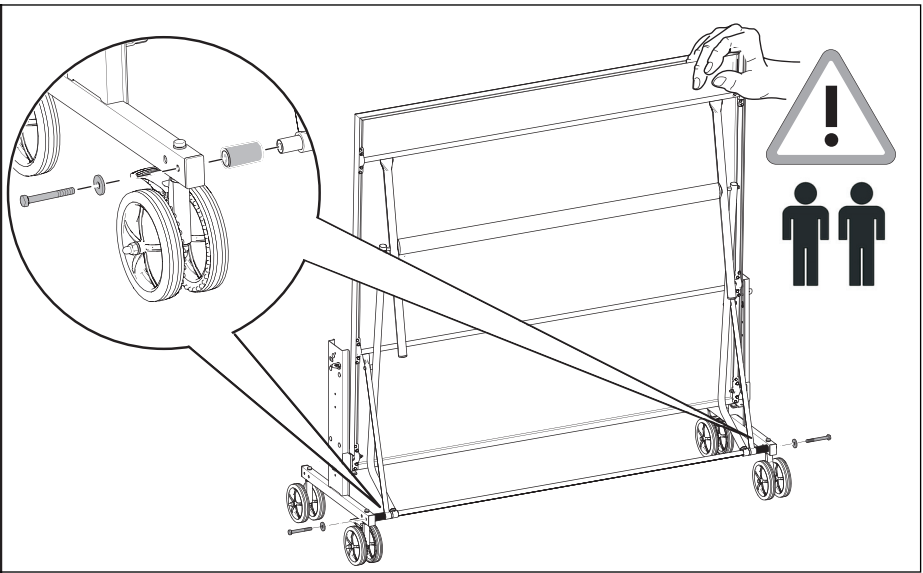


# 12





2x 	2x $\varnothing$ 25 mm 
	2x  M8x60

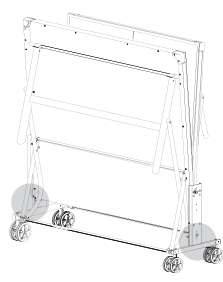


2x

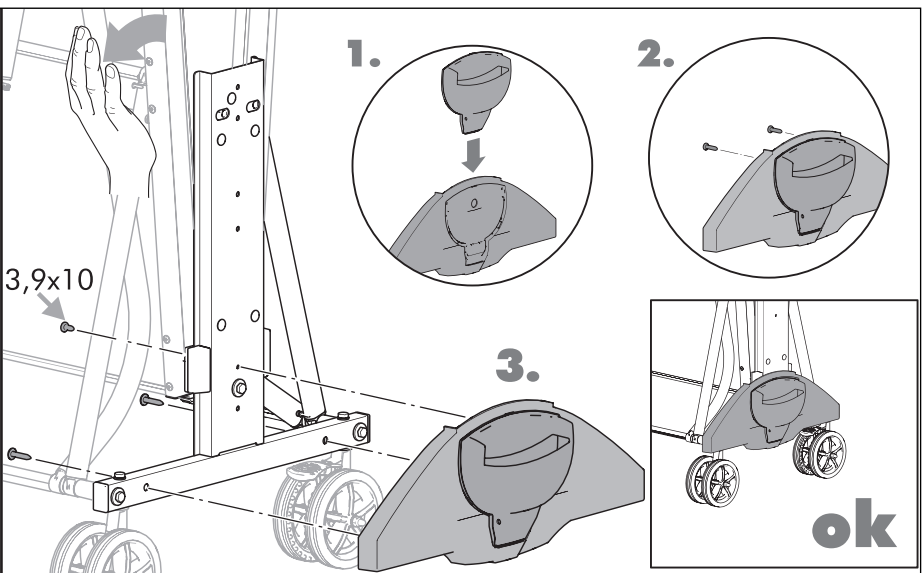


# 13

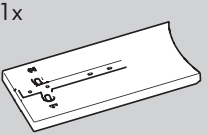




1x 	1x  3,9x10
1x 	4x  3,9x16

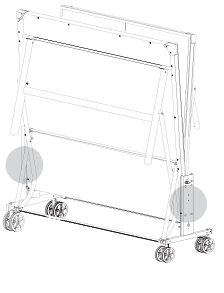


2x

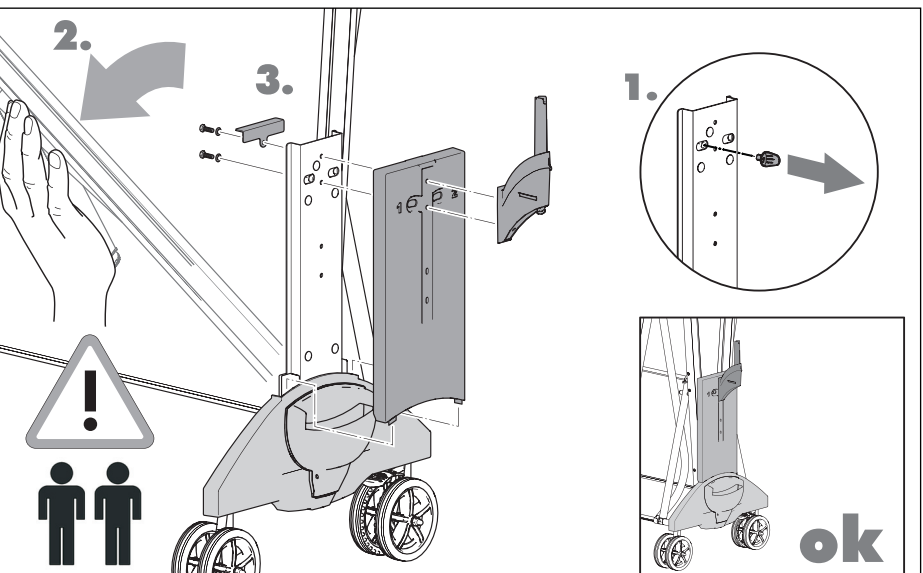


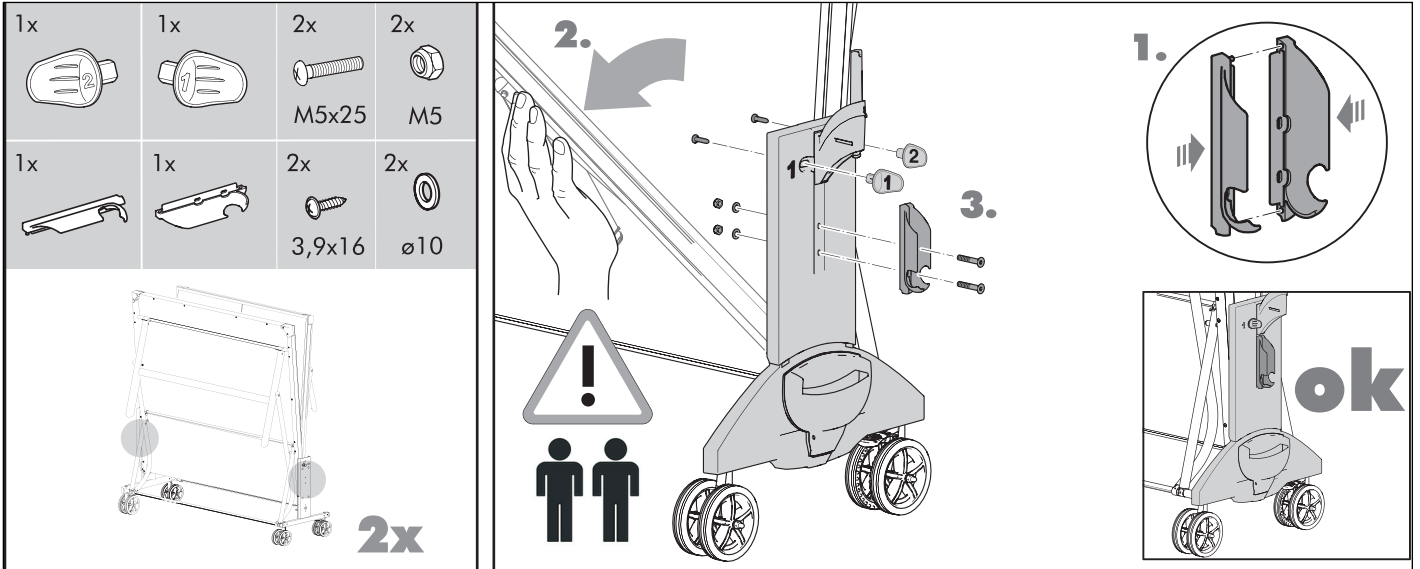
# 14

1x 	1x 	2x  $\varnothing$ 12
1x 	2x  M6x30	



2x

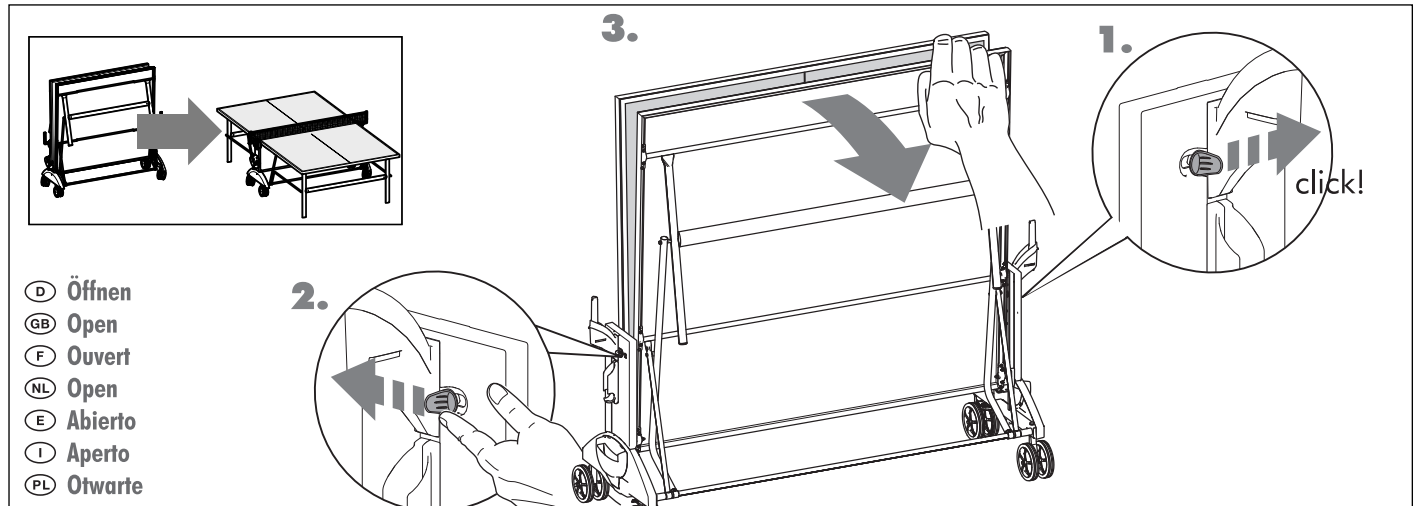


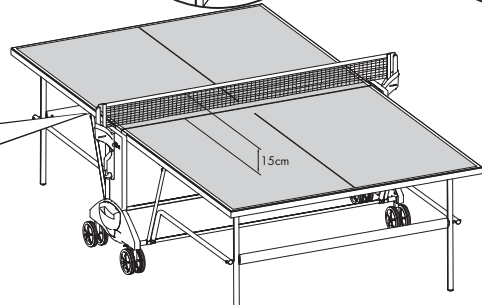
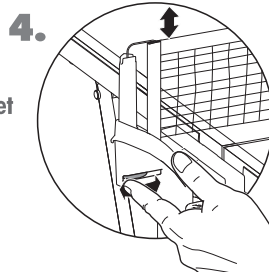
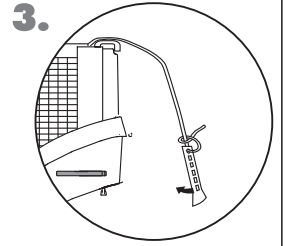
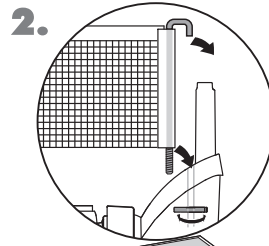
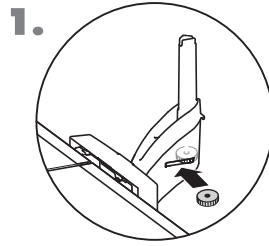
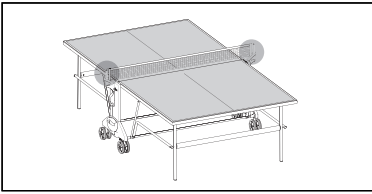


## 16 Handhabungshinweis

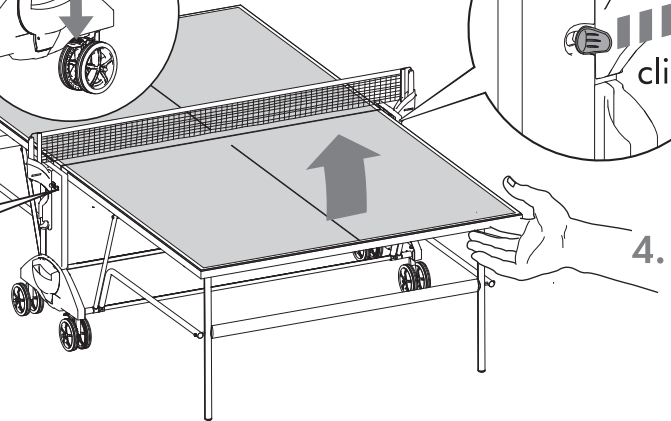
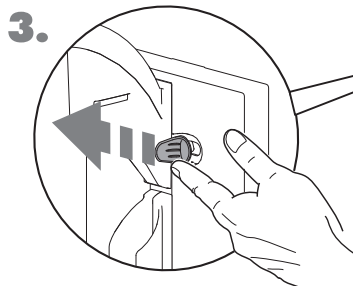
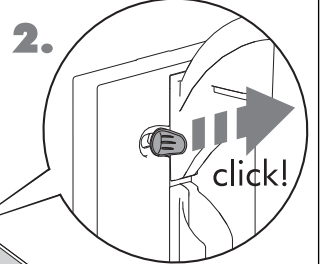
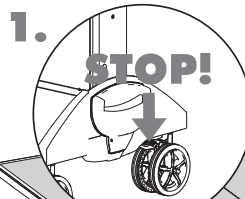
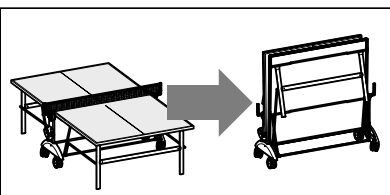
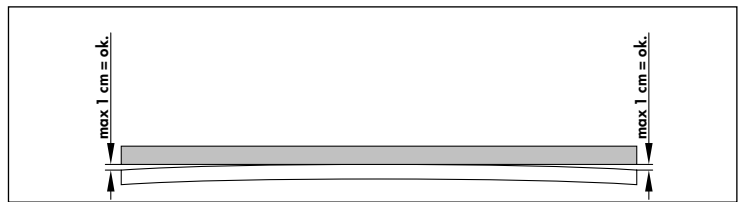
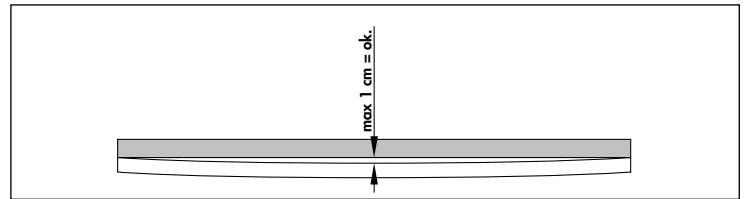
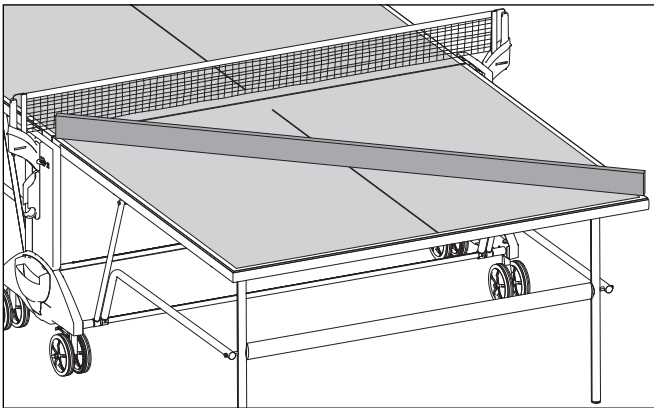
- GB** Handling
- F** Indication relative à la manipulation
- NL** Bedieningsinstructie

- E** Instrucciones de manejo
- I** Avvertenze per il maneggio
- PL** Wskazówki obsługi





- Ⓓ Montage des Netzhalters
- ⒼⒸ Assembling the net set
- Ⓕ Montage pour l'ensemble poteaux-filet
- ⒸⒶ Montage van de netpost
- Ⓔ Montaje del portared
- Ⓘ Montaggio dell'attacco della rete
- ⒴Ⓐ Montaż uchwytów siatki



4.

- Ⓓ Schließen
- ⒼⒸ Close
- Ⓕ Fermer
- ⒸⒶ Sluit
- Ⓔ Cerrar
- Ⓘ Chiudi
- ⒴Ⓐ Zamknij

# Ersatzteilzeichnung

**GB** Spare parts drawing and list

**F** Dessin et liste des pièces de rechange

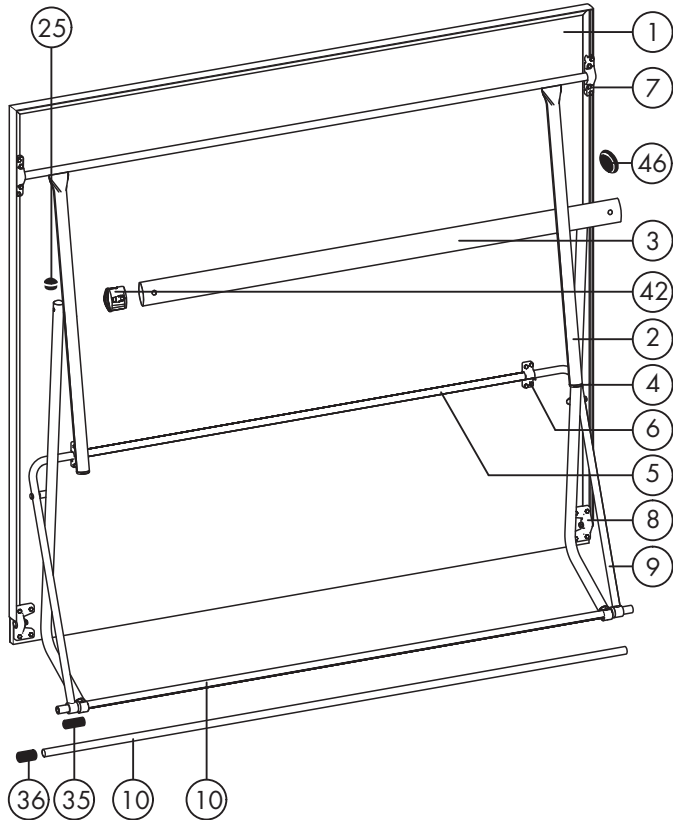
**NL** Reserveonderdeeltkening en -lijst

**E** Designación y lista de las piezas de recambio

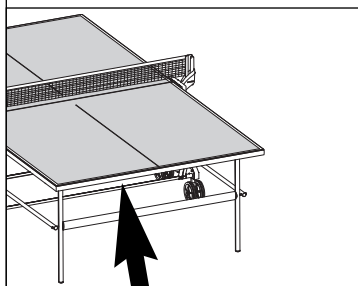
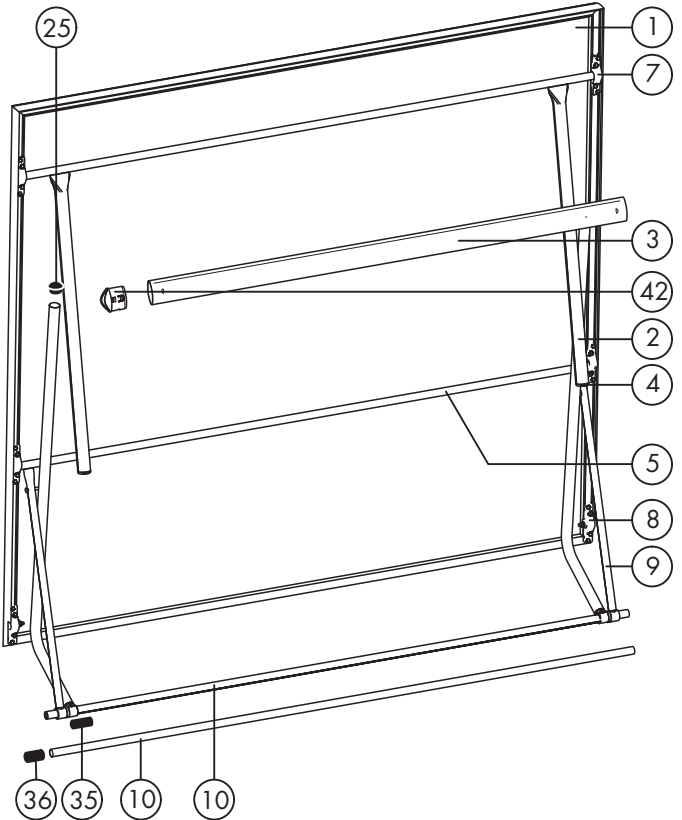
**I** Disegno ed elenco dei pezzi di ricambio

**PL** Rysunek i lista części zamiennych

CHAMP 3.0 07137-000 indoor

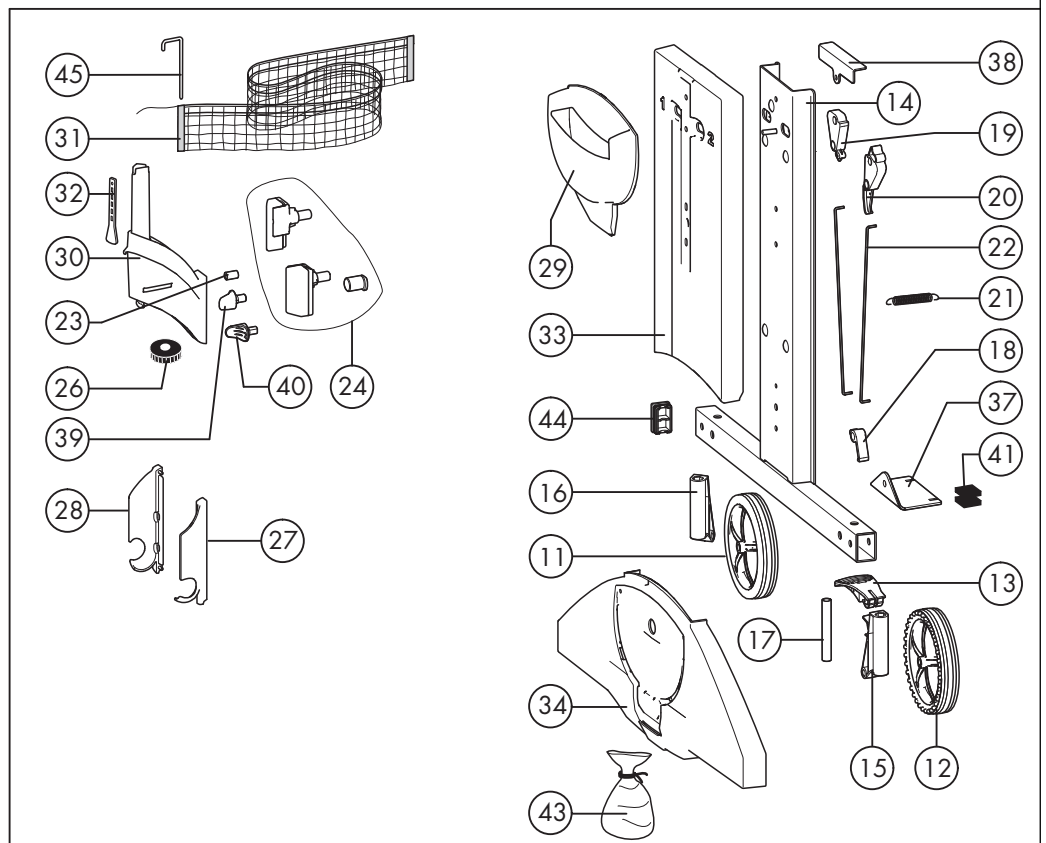


CHAMP 3.0 07177-600 outdoor



- Ⓛ Typenschild – Seriennummer
- Ⓜ Type label – Serial number
- Ⓝ Plaque signalétique – Numéro de serie
- Ⓞ Typeplaatje – Seriennummer
- Ⓟ Placa identificativa – Número de serie
- Ⓠ Targhetta tecnica – Numero di serie
- Ⓡ Tabliczka identyfikacyjna – Numer serii

**KETTNER**  
 FREIZEIT MARK KETTLER  
 HENZ KETTLER GmbH & Co. KG  
 D-59469 Ense-Porz  
 Art.-Nr. 07044-000  
 1-334 G - 1801 00001  
 geprüft nach prEN 14468-1, -2  
 Klasse C, Typ 4  
 Made in Germany



## Ersatzteilliste

Teil Nr.	Bezeichnung	Stück	Ersatzteil-Nr.	
			für 07137-600 CHAMP 3.0 indoor	für 07177-600 CHAMP 3.0 outdoor
1	TT-Platte (Bitte unbedingt Art-Nr. des TT-Tisches angeben!)	2	94130117	94130125
2	Fußgestell	2	94111289	94111301
3	Zwischenstrebe	2/1	94111292	94111292
4	Bodenschoner	4	70130823	70130823
5	Stützbügel mit Rohrverbindern (Paar)	2	94111294	94111303
6	Rohrschelle	4	94110192	-
7	Lagerböckchen	4	94110257	-
7	Lagerböckchen	8	-	10128028
8	Lagerschelle	4	70131001	70131000
9	Schubstrebe mit Rohrverbinder	4	94111296	94111296
10	Verbindungsrohr	3	94111297	94111297
11	TT-Rad ohne Bremsnocken	4	40120136	40120136
12	TT-Rad mit Bremsnocken	4	40120135	40120135
13	Bremshebel mit Rändelstift	2	70130816	70130816
14	Seitenteil	2	94111299	94111299
15	Radverbinder mit Bremse	2	70130847	70130847
16	Radverbinder	2	70130848	70130848
17	Distanzrohr ø12x1,8x85mm	4	97201441	97201441
18	Sicherungshebel (unten)	4	70130826	70130826
19	Sicherungshebel (oben), ohne Raste	2	70130827	70130827
20	Sicherungshebel (Mitte), mit Raste	2	70130828	70130828
21	Zugfeder	2	25616011	25616011
22	Zugdraht	4	25057020	25057020
23	Distanzrohr ø10x1,9x16mm	10	97200573	97200573
24	Gleitstück mit Zubehör	1	94111159	94111159
25	Lamellenstopfen ø 25mm	4	10100030	10100030
26	Verstellrad (rot)	2	70113889	70113889
27	Ballhalter, rechts (4837)	2	70113885	70113885
28	Ballhalter, links (4838)	2	70113886	70113886
29	Schlägerhalter (4802)	2	70115019	70115019
30	Netzhalter kpl.	2	94180343	94180343
31	Netz kpl.	1	73301011	73301011
32	Spannlasche	2	10128013	10128013
33	Seitenverkleidung (oben 4800)	2	70130804	70130804
34	Seitenverkleidung (unten 4808)	2	70113848	70113848
35	Distanzhülse	2	70130825	70130825
36	Distanzhülse	4	70130525	70130525
37	Anschlagwinkel	2	97201284	97201284
38	Begrenzungswinkel	2	97201819	97201819
39	Auslösehebel 3500	2	70130833	70130833
40	Auslösehebel 3501	2	70130834	70130834
41	Reibschutz-Set (4 Stück)	1	70130890	70130890
42	Rohrverbinder	4	70130824	70130824
43	Schraubenbeutel	1	94180361	94180361
44	Lamellengleiter 40 x 25 mm mit Ausklinkung	4	10100009	10100009
45	Alu-Netzhalter	2	25058709	25058709
46	Abdeckkappe SW 10	4	70132298	70132298